

Product information sheet

## SVENSTOL® Office X5



DIN 68877



LARGE  
RECLINE ANGLE

COMFORTPLUS  
UPHOLSTERY

STEEL FRAME

REPLACEABLE  
SEAT CUSHION

ACTIVEPLUS  
MECHANISM

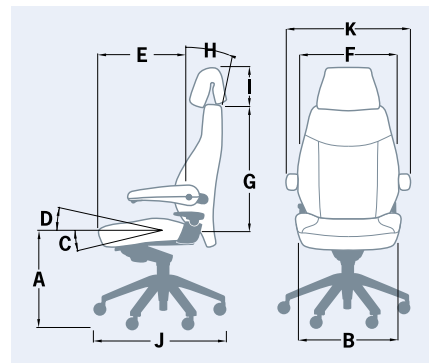
6-LEGGED  
BASE



### STANDARD SPECIFICATION

<b>Seat mechanism</b>	<b>activePlus mechanism</b> encourages active sitting, with torsional spring, easily adjustable for weights between 45 and 150 kg, statically loadable up to 200 kg, can be locked at any angle, angle range: -6° to +19°
<b>Backrest</b>	Steel frame, angle adjustable by up to 25° (from seat)
<b>Seat</b>	Steel frame, plastic seat pan
<b>Seat and backrest cushioning</b>	<b>comfortPlus upholstery</b> combines car seat comfort with workplace ergonomic requirements, ergonomically shaped cold foam, with 10 mm lining for comfort, seat cushion thickness: 8 cm
<b>Seat height adjustment</b>	Gas spring with depth adjustment, adjustable to any height from 44 - 56 cm
<b>Base</b>	Star-shaped, polished aluminium base, 72 cm diameter, 6-legged for improved stability and weight distribution
<b>Castors</b>	6 large castors, 65 mm diameter, hard or soft castors
<b>Guarantee</b>	10-year full guarantee (no guarantee for 24h-use)
<b>Certifications</b>	GS (tested for safety), tested for ergonomics, DIN EN 1335 1-3, Ergonomic Product, DIN 68877

Product information sheet  
**SVENSTOL®**  
**Office X5**



- A 44 - 56 cm
- B 55 cm
- C 6°
- D 19°
- E 41 - 51 cm
- F 51 cm
- G 65 cm
- H 25°
- I 18 - 35 cm
- J 72 cm
- K 69 cm
- kg approx. 35

### TYPES OF COVER/PRICE GROUPS

	Fabric FG 2*	Leather*
	Era or vinyl (black)	Leather black
<b>Standard type</b> without headrest	✓	✓
<b>Standard type</b> with headrest	✓ +	✓
<b>Extra charge</b> headrest in leather black	✓	

+ fabric covers with headrest in vinyl possible, same price    \* for colour range see our colour card

### FEATURES

<b>Svenstol®-Armrests</b>	Armrest carrier in aluminum polished, can be tipped back, quick lock-in adjustment
<b>Height adjustment</b>	for Svenstol armrest, adjustable in height in 7 steps, adjustable while sitting
<b>T armrests</b>	Height, depth and width adjustable, robust, maximum stability
<b>Lumbar support pneumatic</b>	Pneumatically adjustable using hand pump (at the front on the left underneath the seat), height adjustable (2 air chambers)
<b>Lumbar support mechanical</b>	Height and depth adjustable, adjustable while sitting, with two hand wheels on the backrest
<b>Seat depth adjustment</b>	Sliding seat pan (adjustable forwards by 10 cm), locking lever at the front on the right underneath the seat
<b>Castors/glides</b>	Basic model with castors (65 mm) for hard or soft floors Antistatic castors (65 mm) for hard or soft floors Gliders
<b>Seat height</b>	Basic model with standard gas spring (seat height 44 - 56 cm) Alternative: high gas spring (seat height 48 - 60 cm) Alternative: low gas spring (seat height 39 - 47 cm)
<b>Version 150+</b>	tilt angle reduced by 6°, reinforced construction with stronger mechanism, seat and gas strut reinforced, suited for user between 45 kg and 200 kg (dynamic resilience), statically loadable up to 230 kg
<b>Clothes hanger</b>	Attached to headrest, removable
<b>Corporate Design</b>	Your name/logo/symbol embroidered or woven on to the cover